



Phone:(760) 723-7880 | Toll Free: (888) 471-8473 | Fax:(760) 723-5246
 1119 South Mission Road, Suite 324 | Fallbrook, California 92028

FRONT WHEEL SECTION

	Driver Side	Passenger Side
A Mounting surface to first obstruction frame side*	_____	_____
B Mounting surface to inside fender	_____	_____
C Hub Diameter	_____	_____
D Brake Diameter: Center to top of caliper x 2	_____	_____
E Protrusion of caliper past mounting surface	_____	_____
F Hub Length	_____	_____

Measurement "E" does not apply to vehicles with drum brakes.

Fender Height From Center Of Hub _____

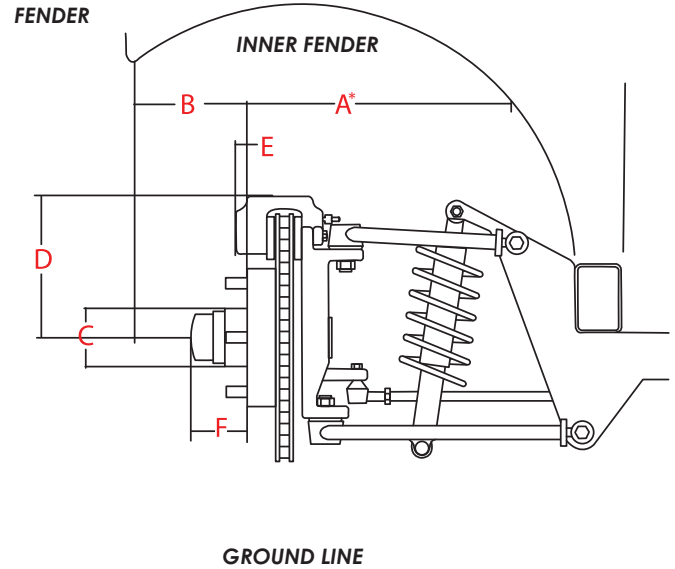
Current Wheel Size _____ Backspace _____

Bolt Pattern _____

Current Tire Size _____

MEASURING TIPS:

- Jack vehicle up on level ground & support vehicle with jack stands
- Compress suspension to ride height while measuring
- Use a rigid straight edge at least 30" long for best results



*First obstruction that wheel and tire may come in contact with

REAR WHEEL SECTION

	Driver Side	Passenger Side
A Mounting surface to first obstruction frame side*	_____	_____
B Mounting surface to inside fender	_____	_____
C Hub Diameter	_____	_____
D Brake Diameter: Center to top of caliper x 2	_____	_____
E Protrusion of caliper past mounting surface	_____	_____

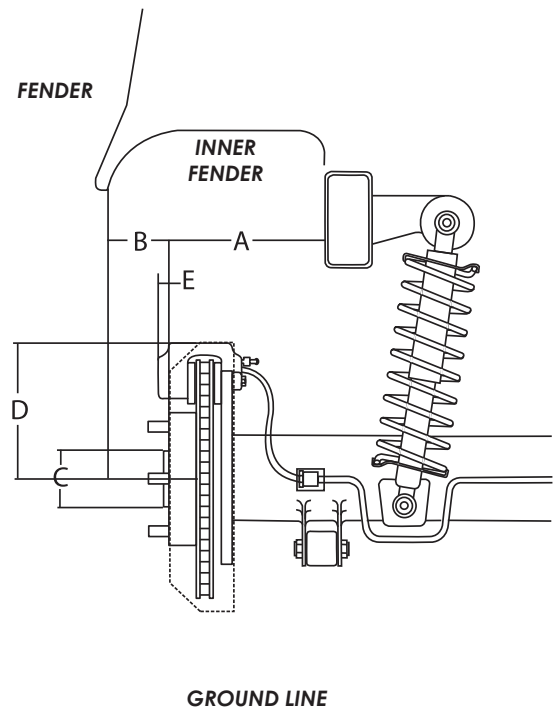
Measurement "E" does not apply to vehicles with drum brakes.

Fender Height From Center Of Hub _____

Current Wheel Size _____ Backspace _____

Bolt Pattern _____

Current Tire Size _____





Phone:(760) 723-7880 | Toll Free: (888) 471-8473 | Fax:(760) 723-5246

1119 South Mission Road, Suite 324 | Fallbrook, California 92028

CUSTOM "ONE-OFF" WHEEL SPECIFICATION FORM

Front

Wheel Diameter:

Wheel Width:

Wheel Backspacing:

Bolt Pattern:

Bolt Stud Size:

Valve Stem Position:

Back

Wheel Diameter:

Wheel Width:

Wheel Backspacing:

Bolt Pattern:

Bolt Stud Size:

Valve Stem Position:

Additional Notes

I understand that the wheels being made are "one-off" custom wheels to the above specifications and are not returnable unless made incorrectly. I understand that the price quoted is not inclusive of freight and that the freight will be additional. A deposit of 1/2 of the price quoted is due with the order and the remaining 1/2 and freight charge will be due at orders completion, prior to shipment.

Please Print - First Name, Last Name

Authorization Signature

Date